



# Technical Data Sheet

<b>Item-No. VEIT</b>	30699763	<b>Item-No. Customer</b>	SKU47253
----------------------	----------	--------------------------	----------

<b>Description</b>	SKU47253 TH 80/80/12 72m 48gFA		
--------------------	--------------------------------	--	--

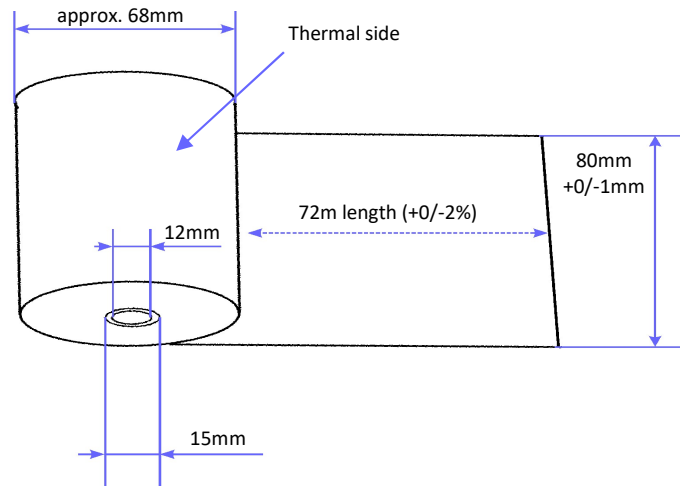
<b>Width</b>	<b>Length</b>	<b>Diameter</b>	<b>Core</b>
80mm	72m	approx. 68mm	12mm

<b>Paper Quality</b>	Thermal paper 48g BPAfree
----------------------	---------------------------

<b>Thermal side</b>	Coated outside
---------------------	----------------

<b>Warning mark</b>	Red marking at the end of roll
---------------------	--------------------------------

## Drawing of the roll



### Box label

**50 bobines**  
**80x80x12**  
papier thermique 48g/m<sup>2</sup>  
sans bisphénol A  
**SKU 47253**

3 700475 472537

### Label on Shrink pack

**Lot de 5 bobines**  
papier thermique 48g sans bisphénol A 80x80x12  
**SKU 47253**

3 700475 472520

## Logistic information:

<b>Box unit</b>	50 rolls
<b>Rolls per shrink pack</b>	5 rolls

<b>Weight / box</b>	13 kg
---------------------	-------

<b>Box sizes</b>	395mm x 393mm x 175mm
------------------	-----------------------

<b>Barcode box</b>	3700475472537
<b>Barcode shrink pack</b>	3700475472520

<b>Pallet unit</b>	3.000 rolls = 60 boxes
	10 layers / pallet
	6 boxes / layer

<b>Net weight/pallet</b>	780 kg
<b>Gross weight/pallet</b>	800 kg

<b>Pallet size</b>	120x80cm, height 189,5cm
<b>Pallet type</b>	EURO